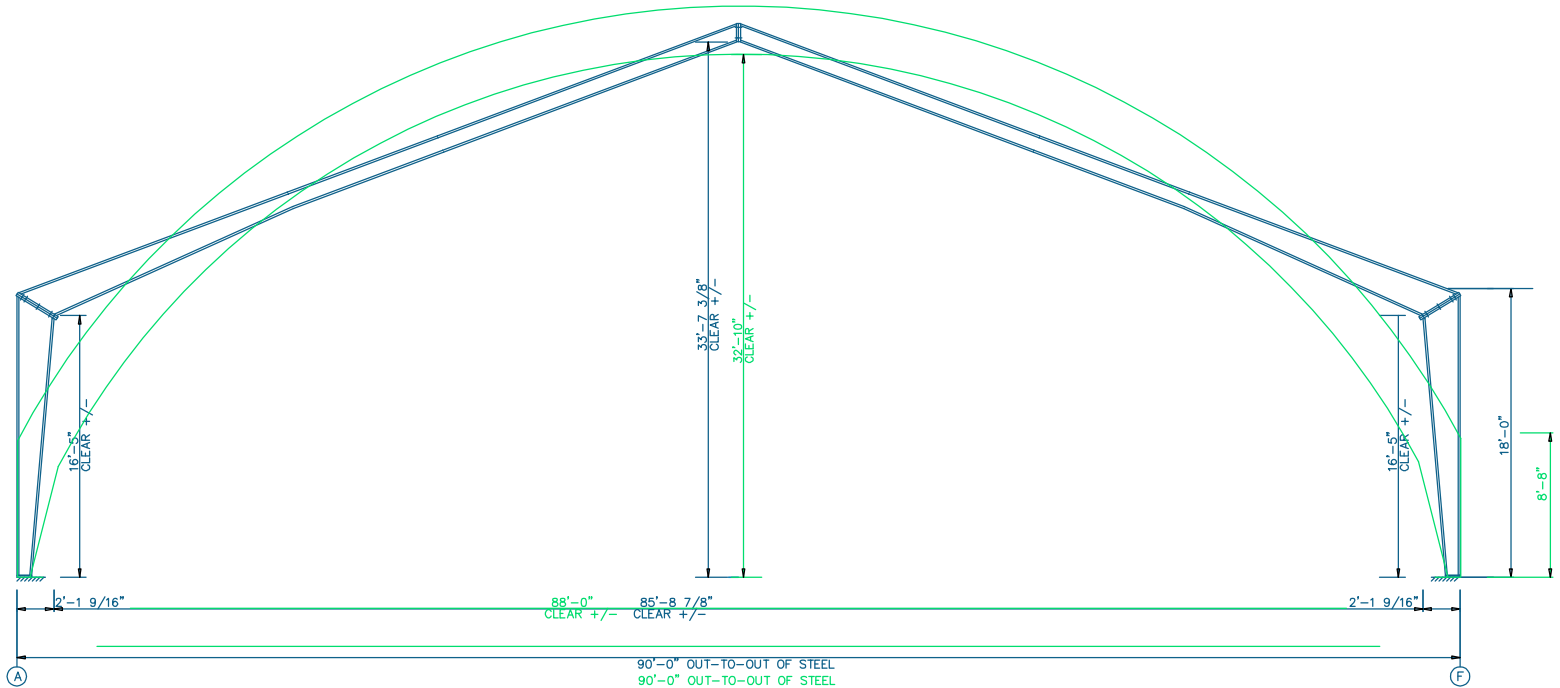


Maximum Usable Space Comparison



Rigid Frame Elevation

Blue: Customizable Peak Design Building

Green: Arch Design Building